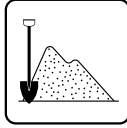




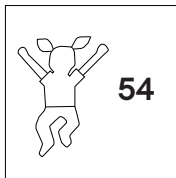
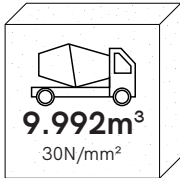
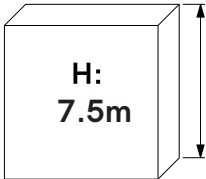
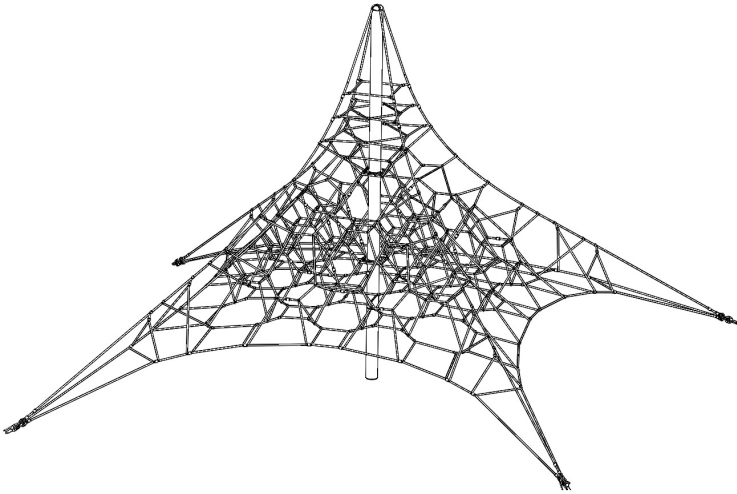
ACTIVE 8000

ACT8000_1

EN1176-1:2017 | EN1176-11:2014

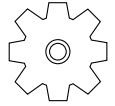


3+



2-3	
4-6	
7	
8-12	
13-22	





x1

1.2
6000mm

1.1
1800mm

130kG

45kG

1 : 219mm Mast

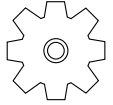
x1

2.1 : 219mm Dome

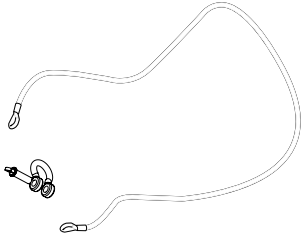
x1

2.2 : Net



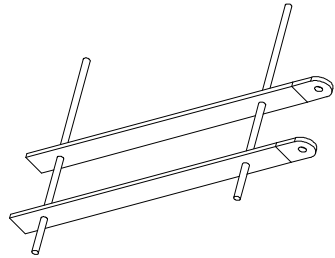


x4



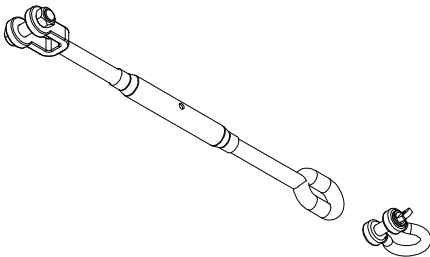
3.1 : 10mm Anchor Wire & 9.5t Shackle

x4



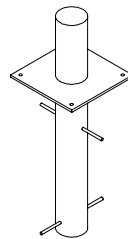
3.2 : Double Corner Anchor

x4



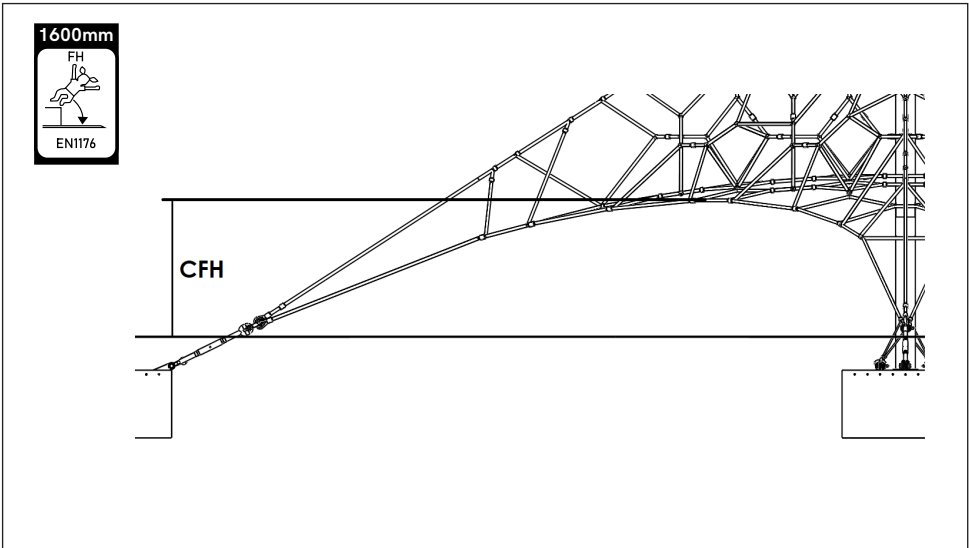
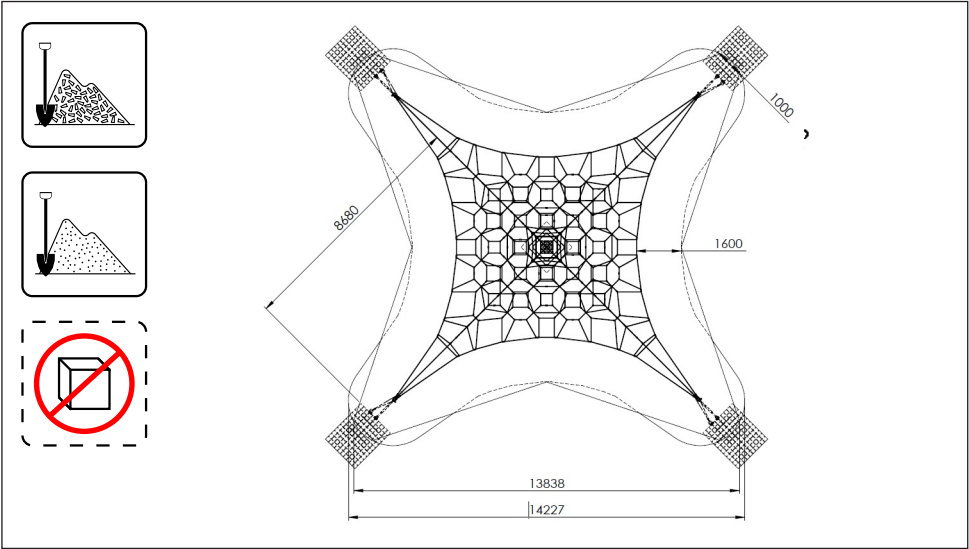
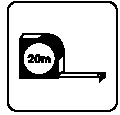
3.3 : 39mm Rigger & 9.5t Shackle

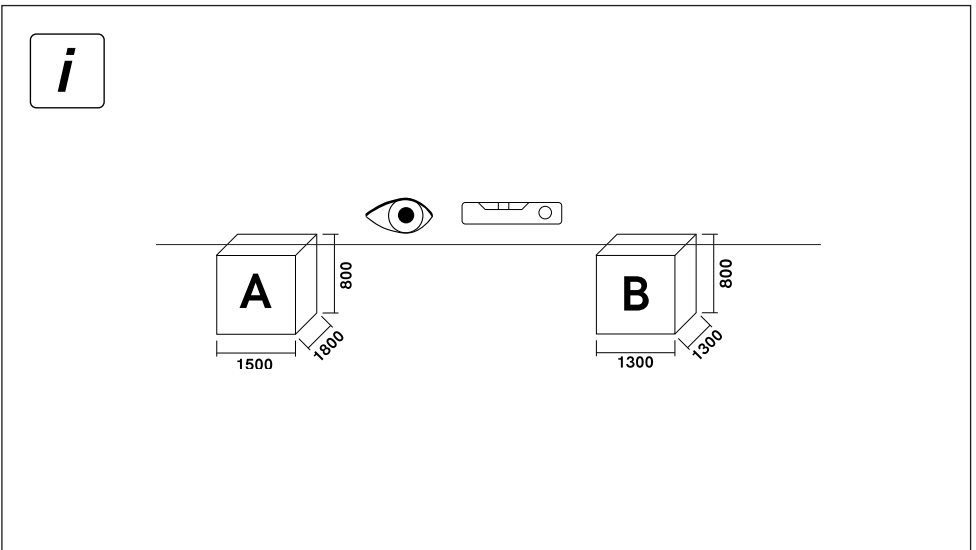
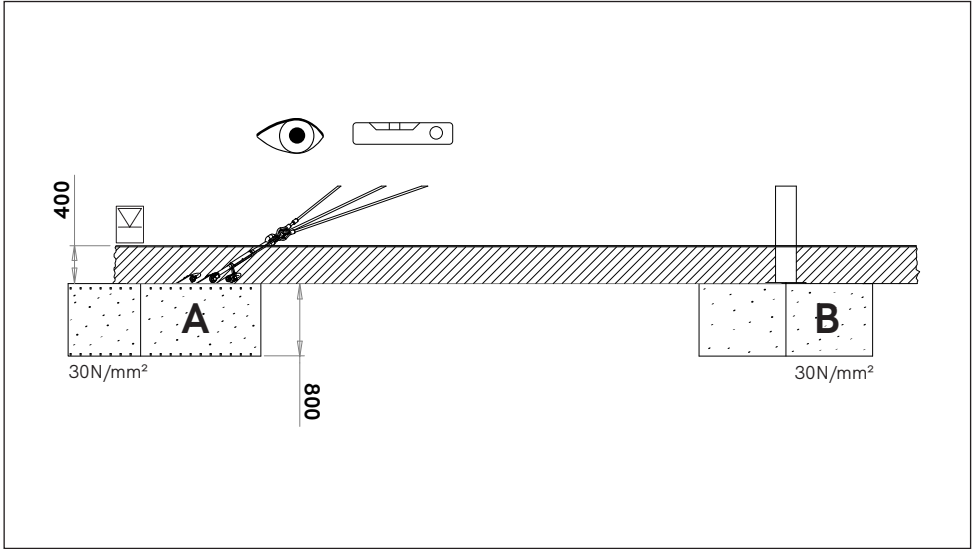
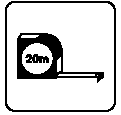
x1

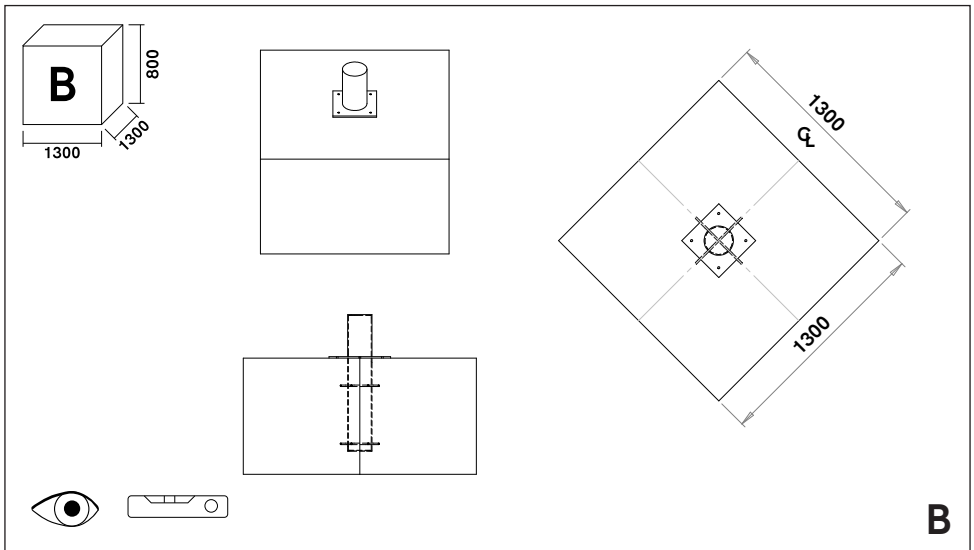
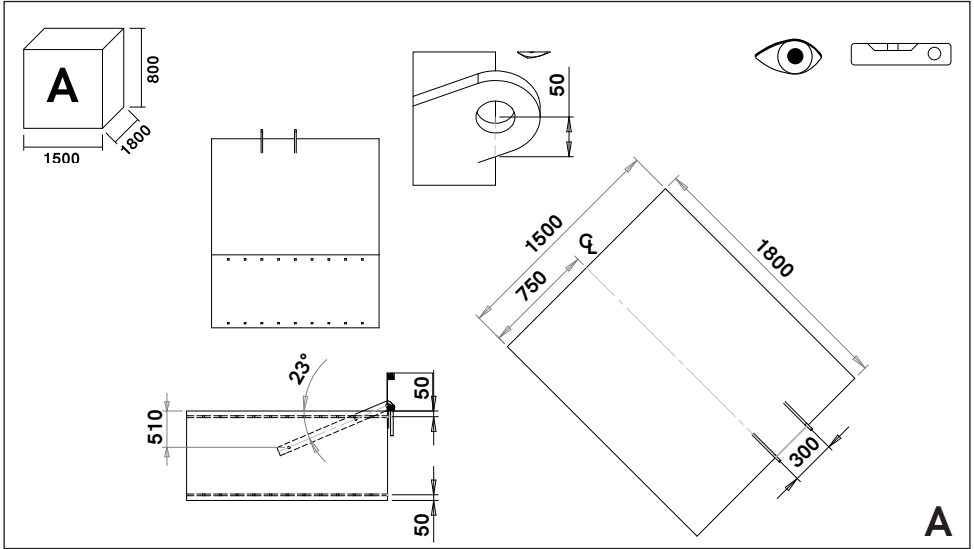
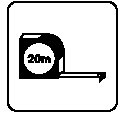


3.4 : Central Spigot

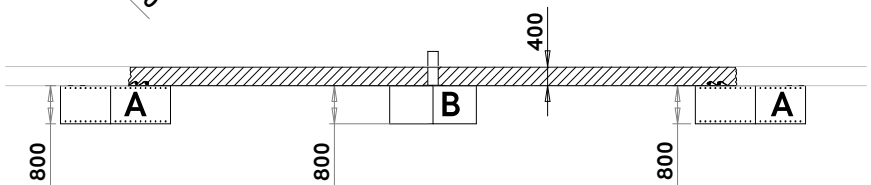
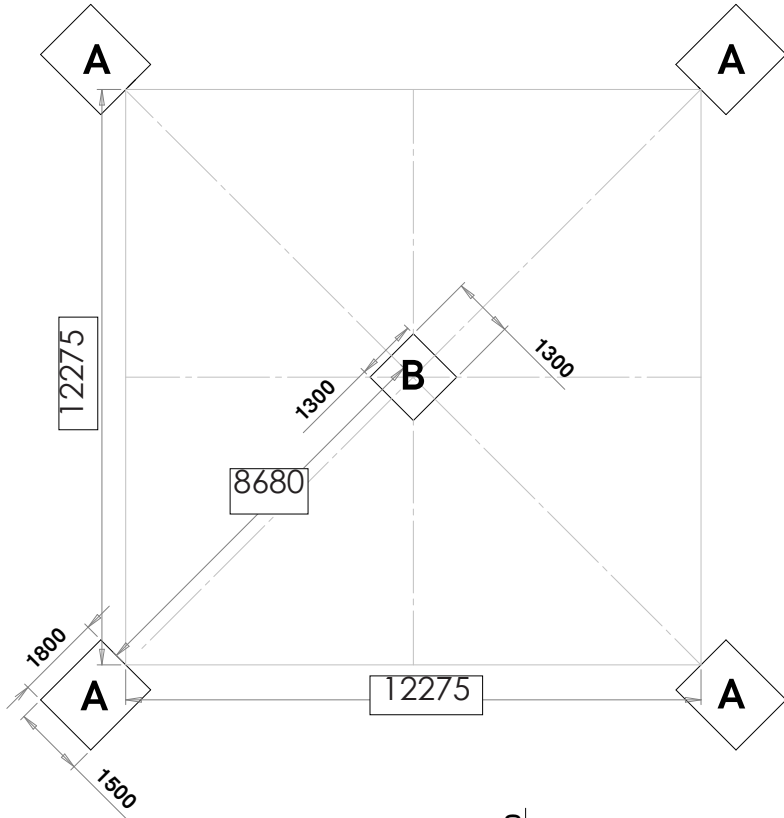
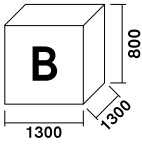
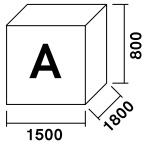
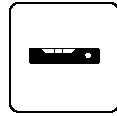
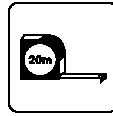




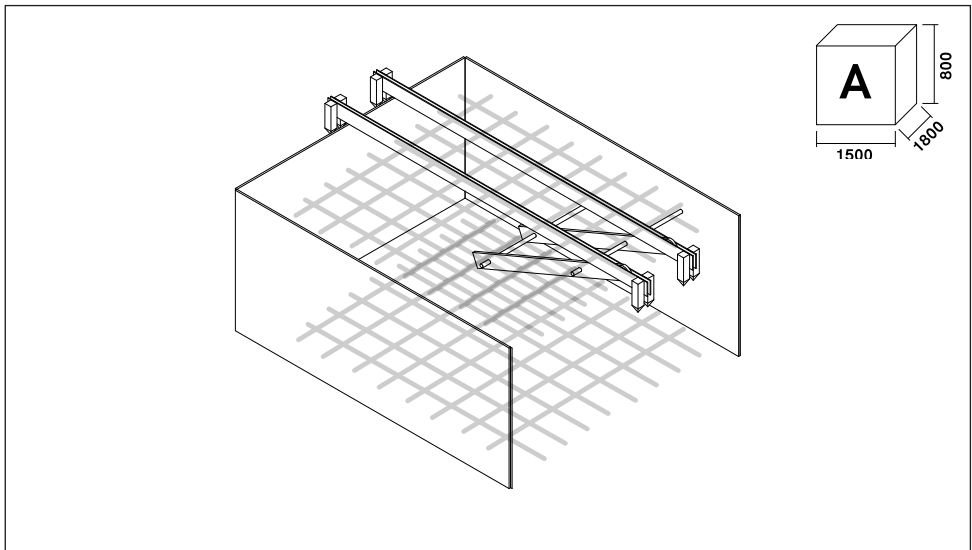
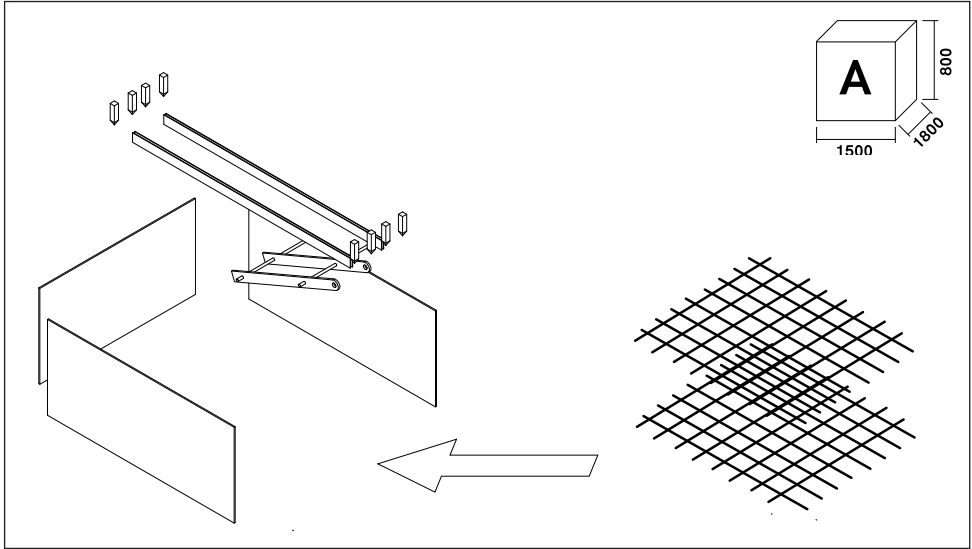
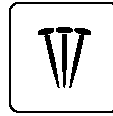
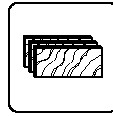
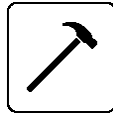
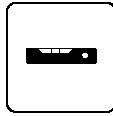




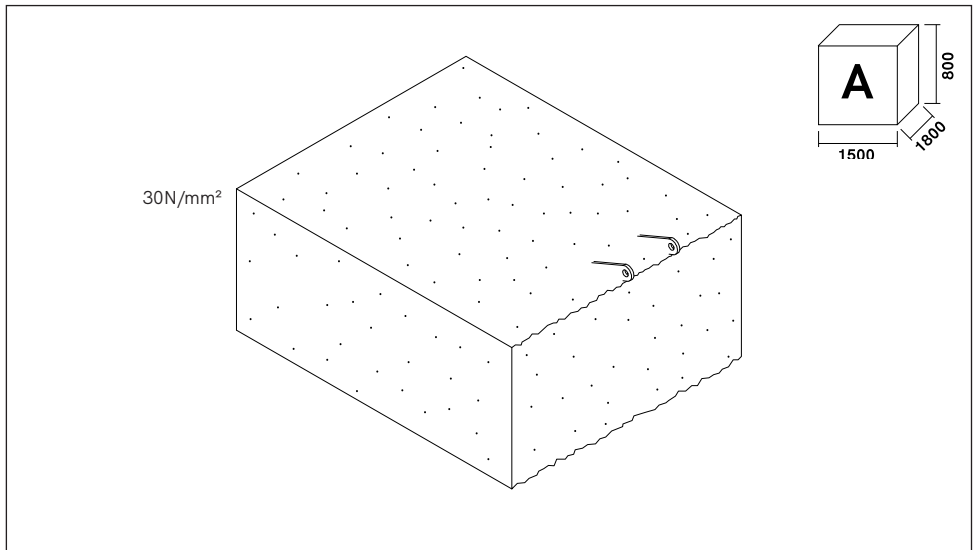
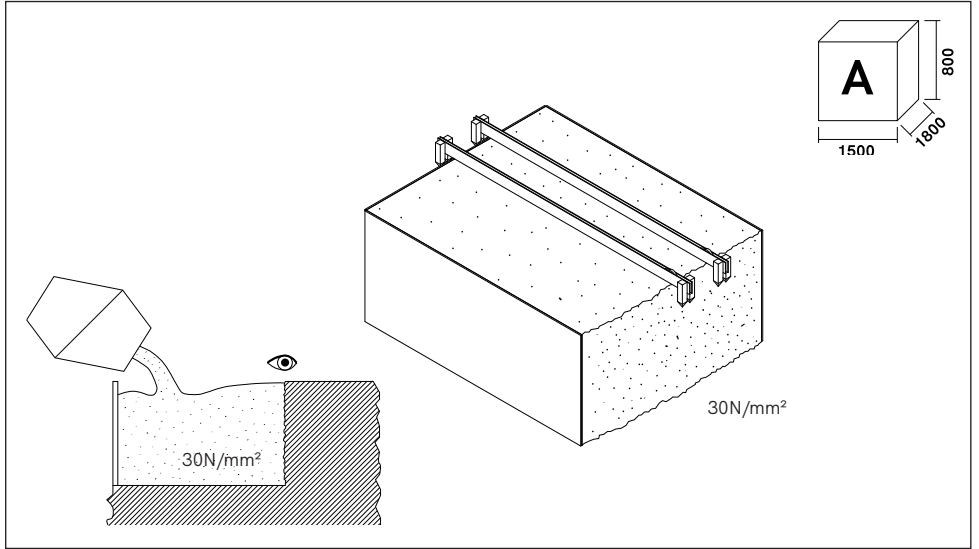
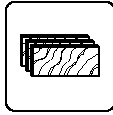
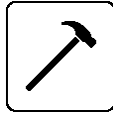
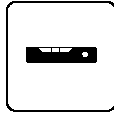
1



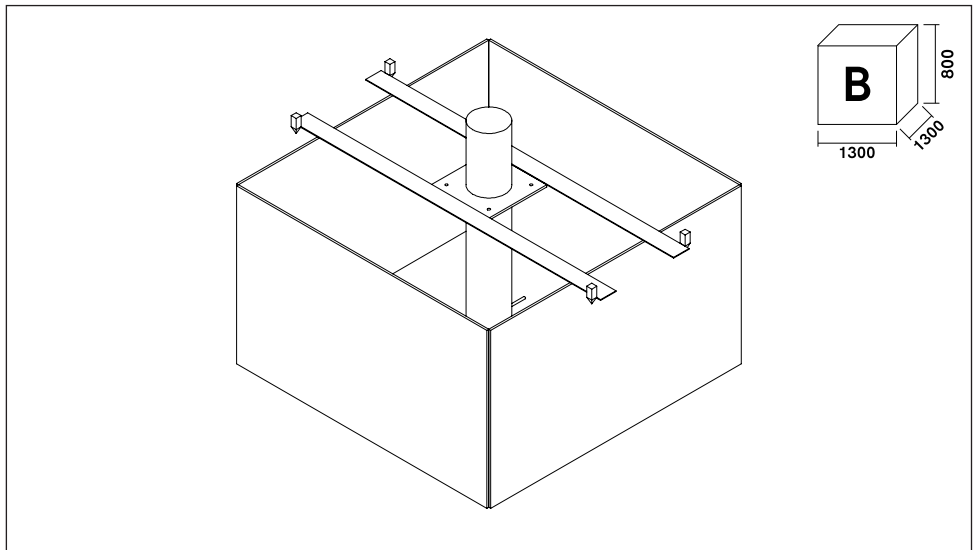
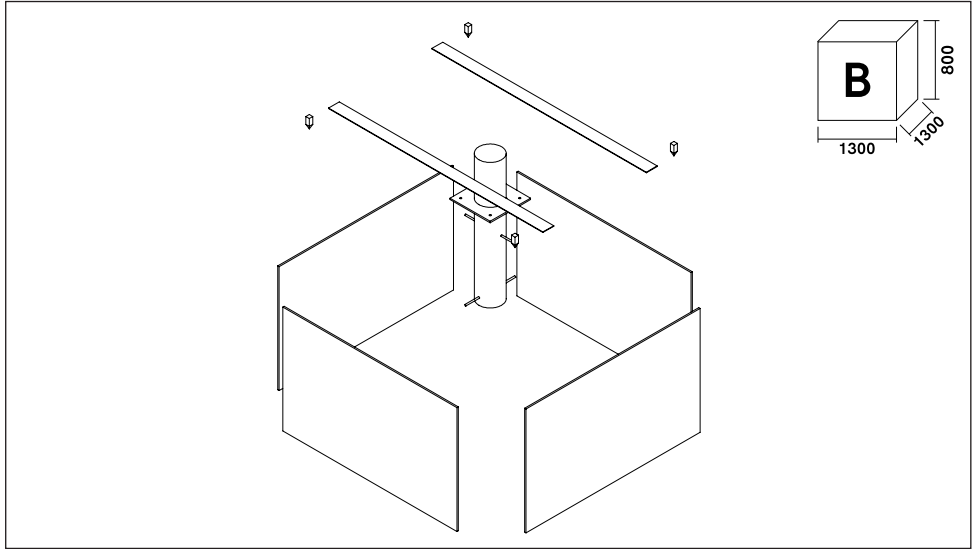
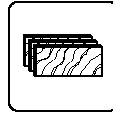
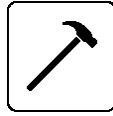
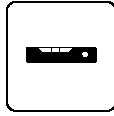
2



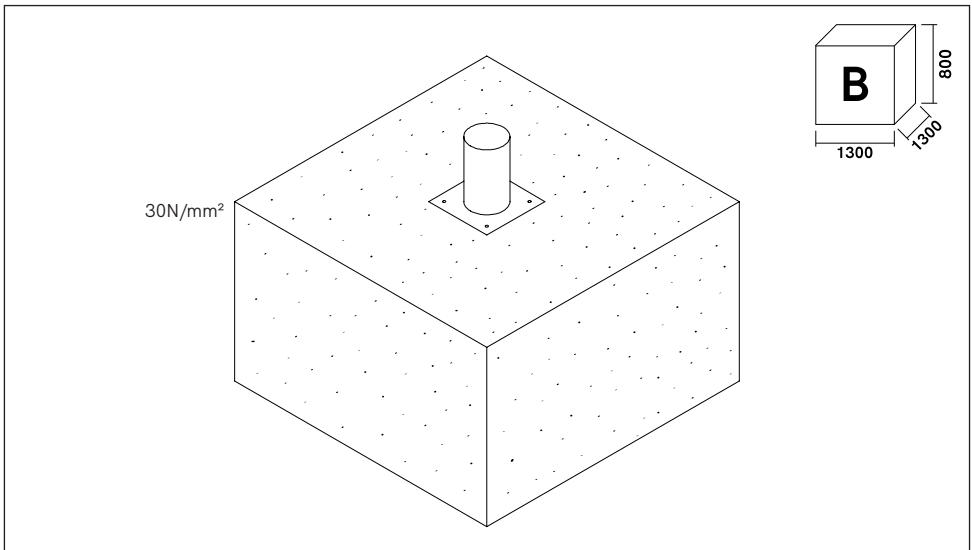
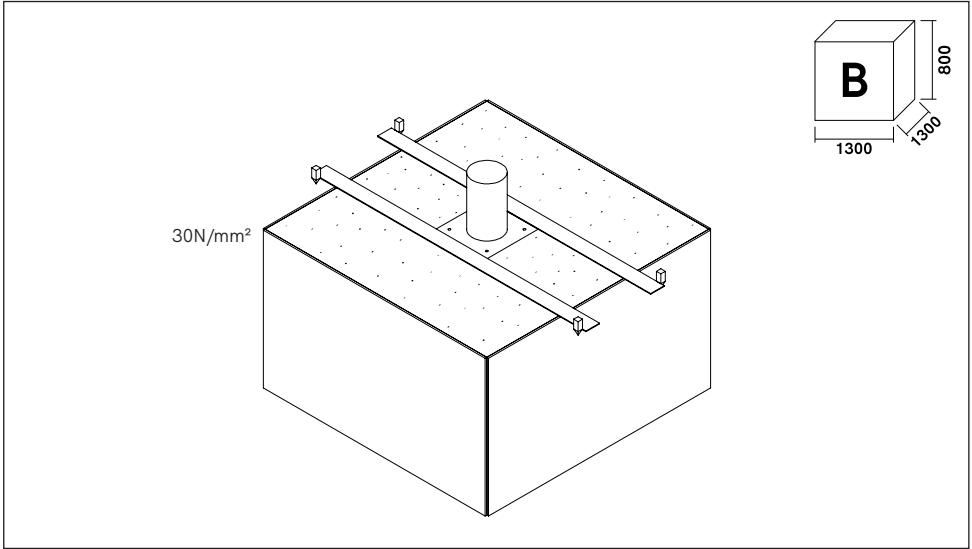
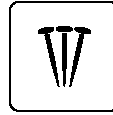
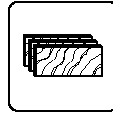
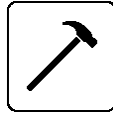
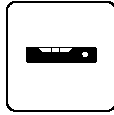
2

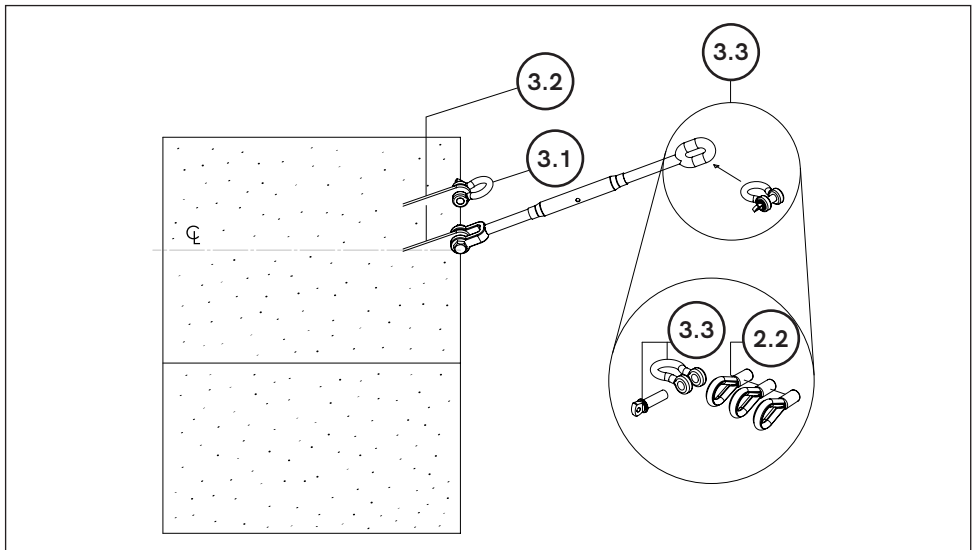
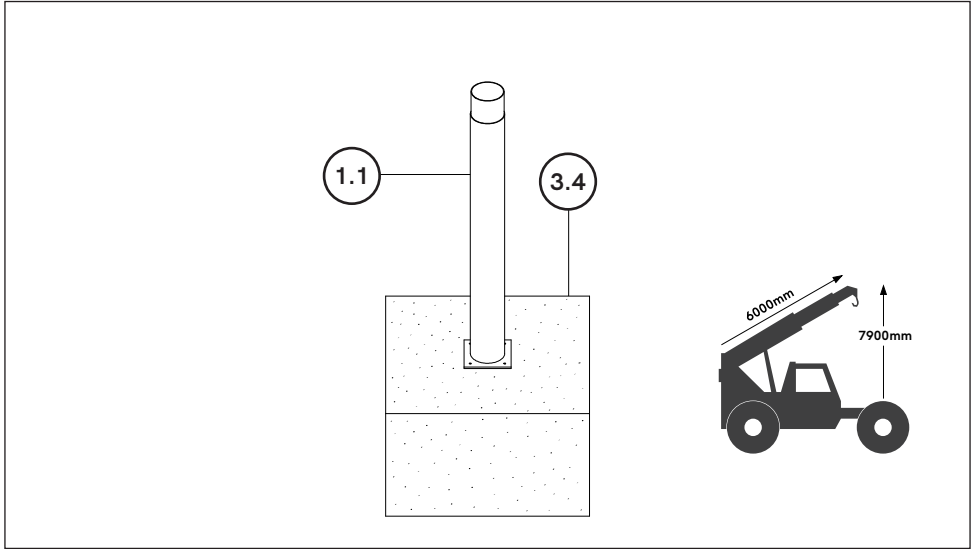


2

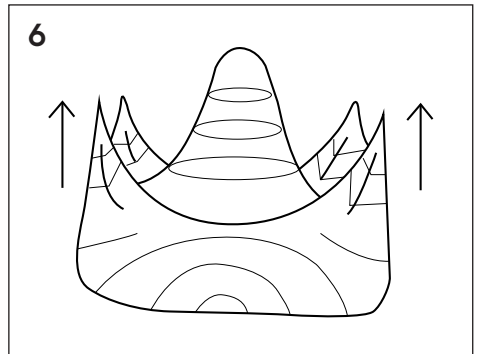
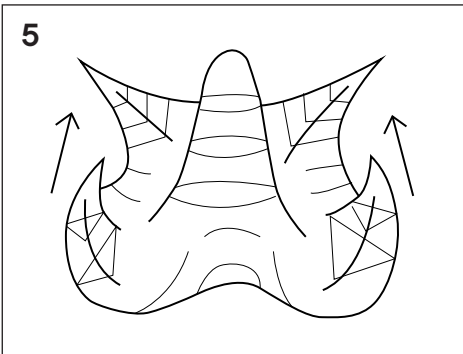
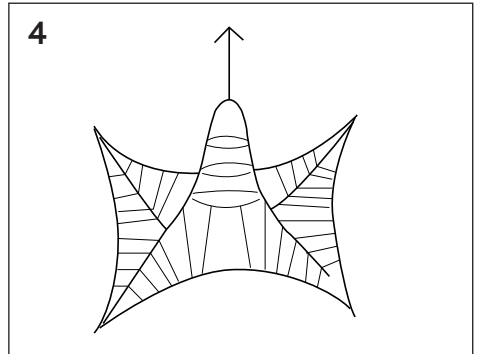
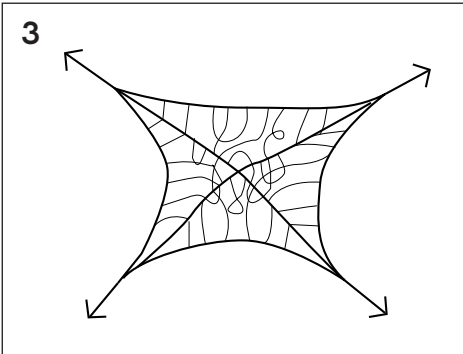
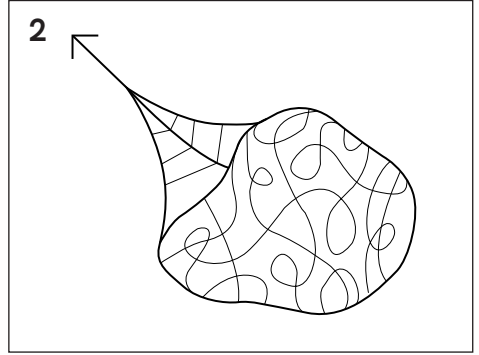
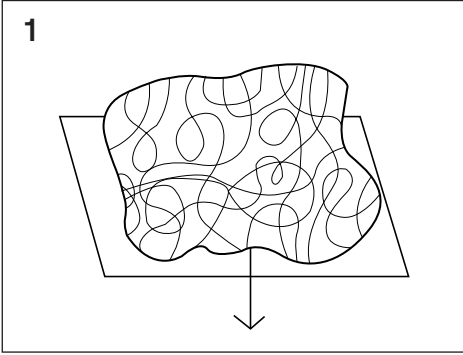


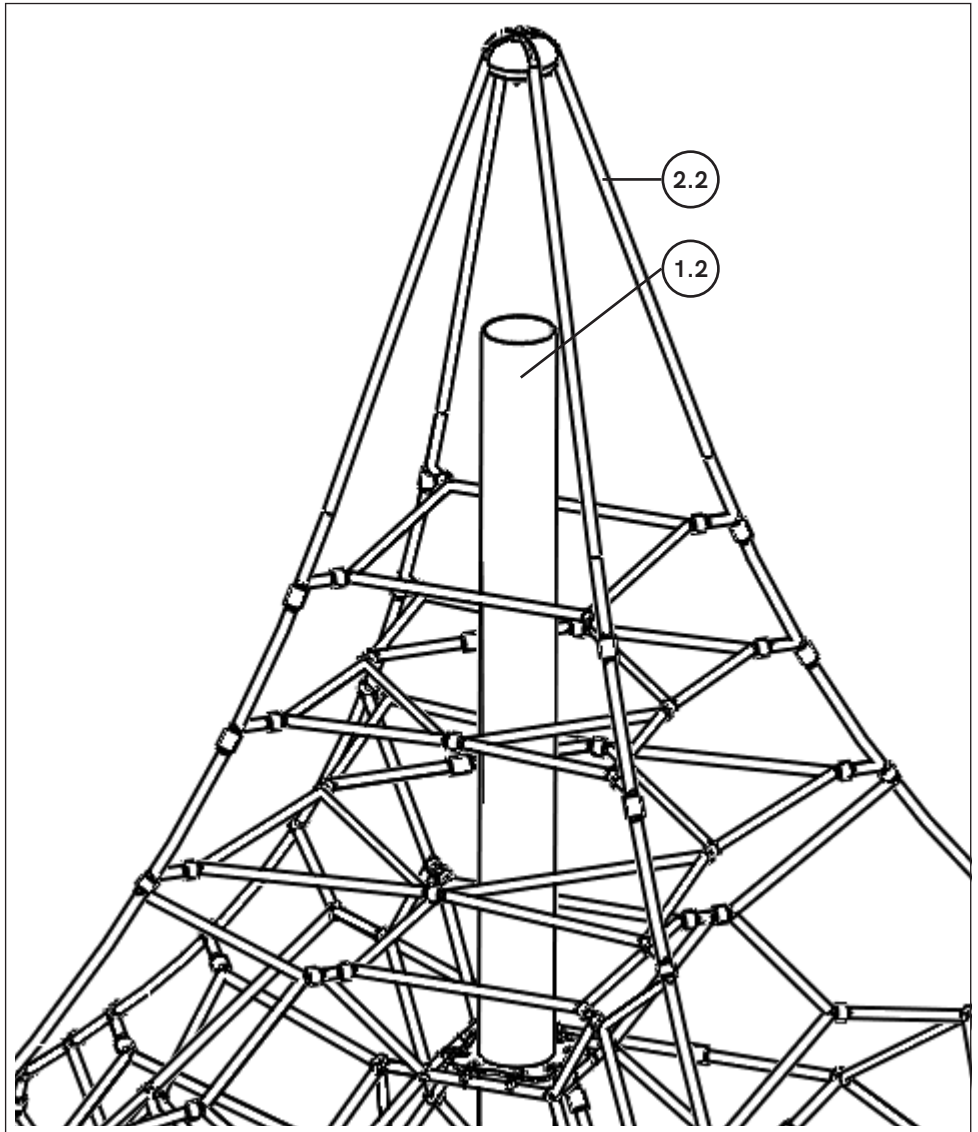
2

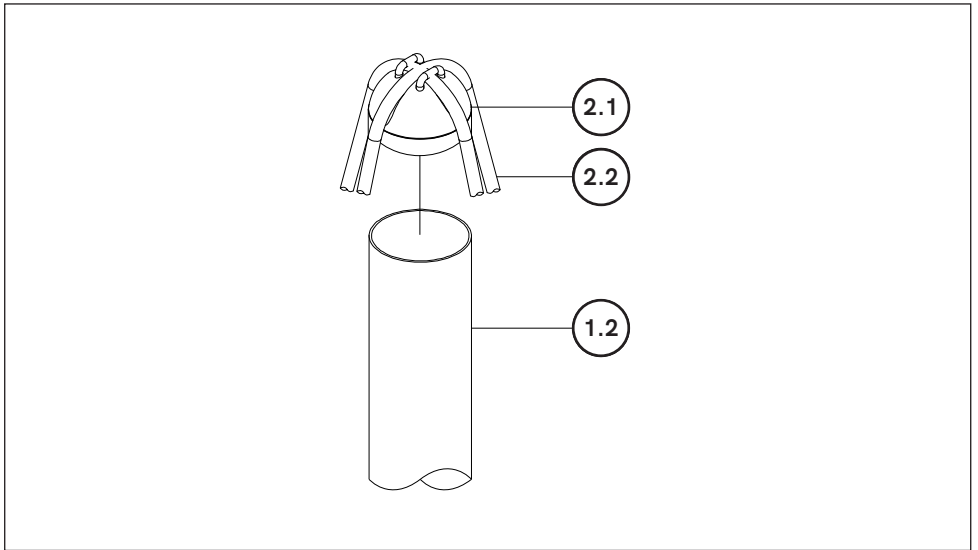
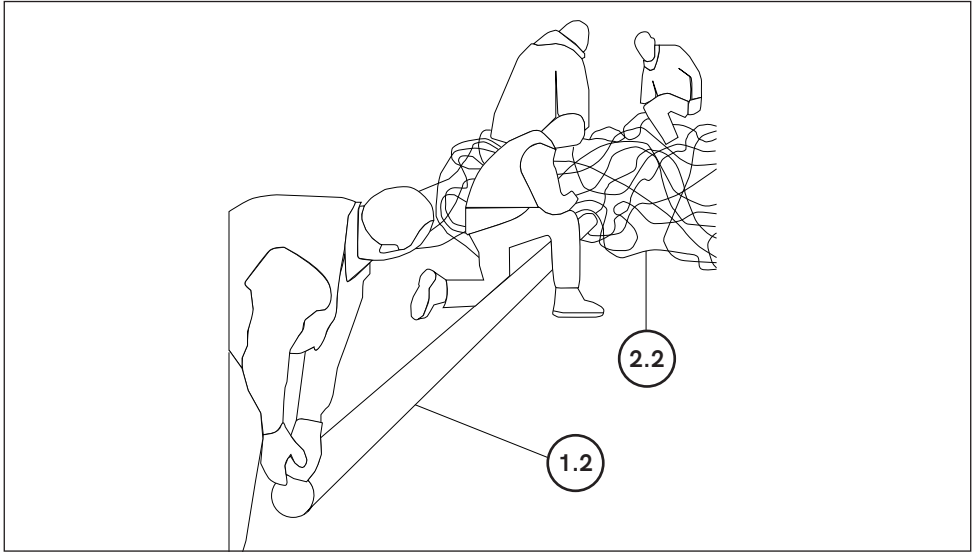
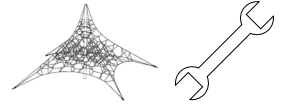




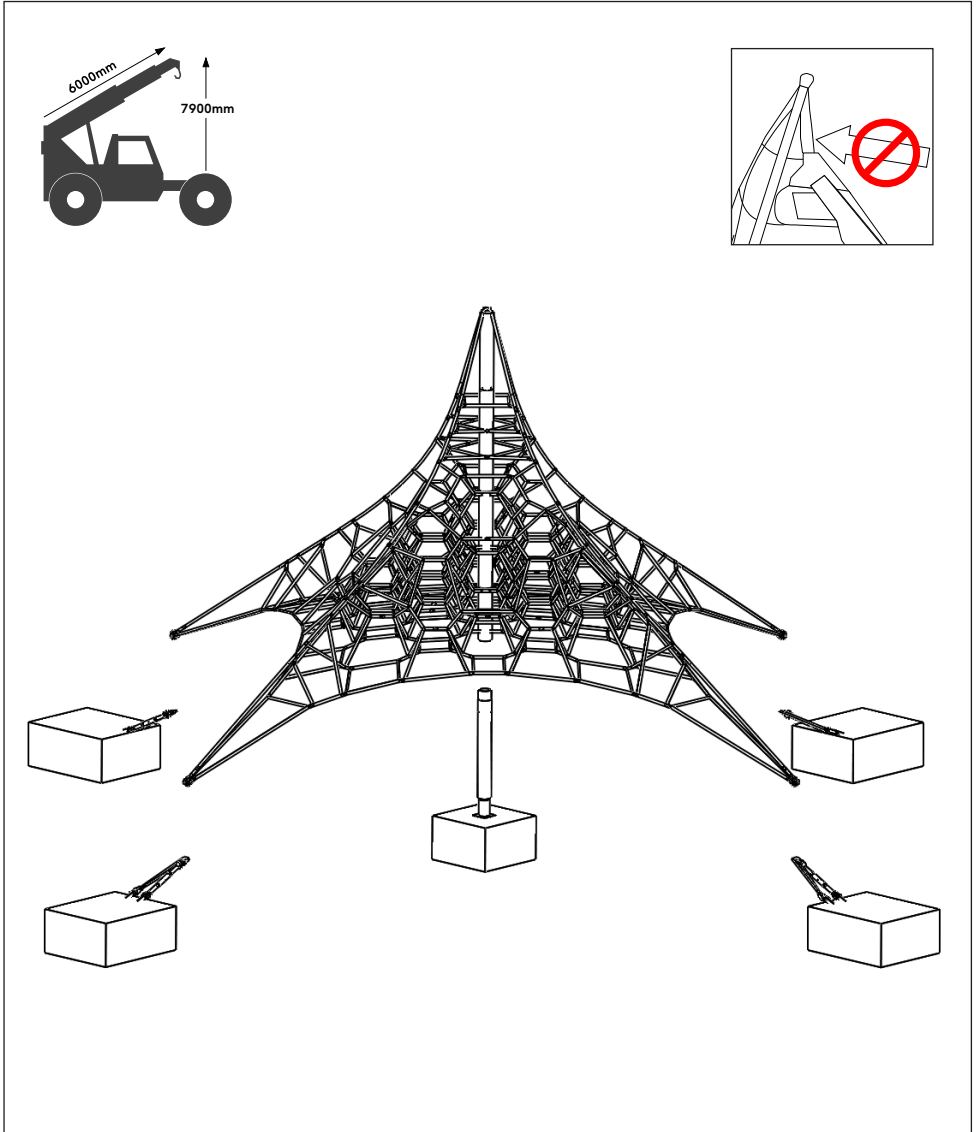
3

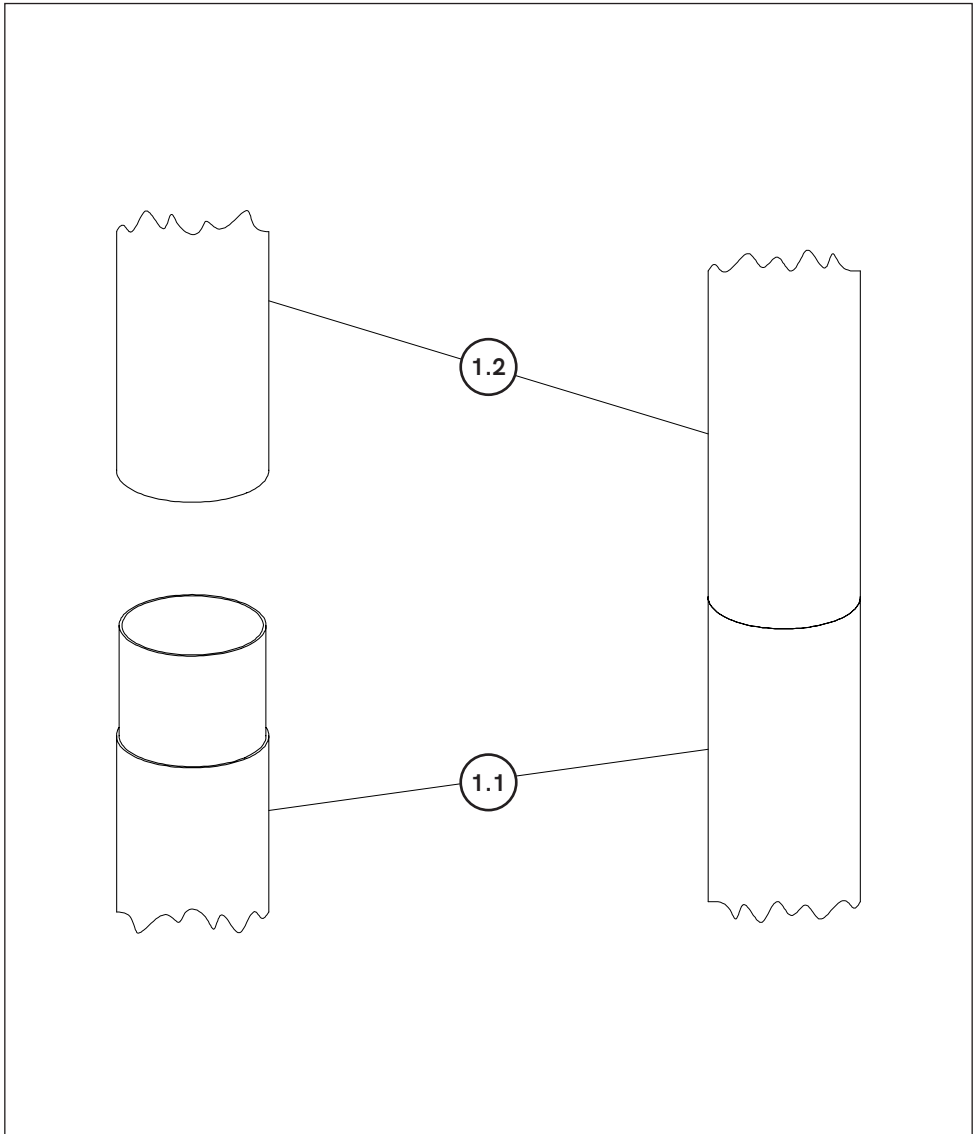


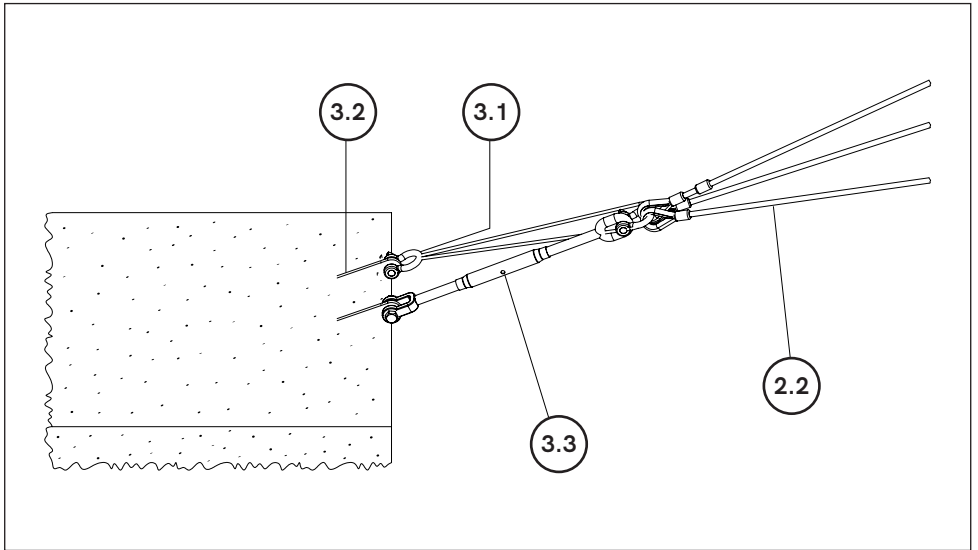
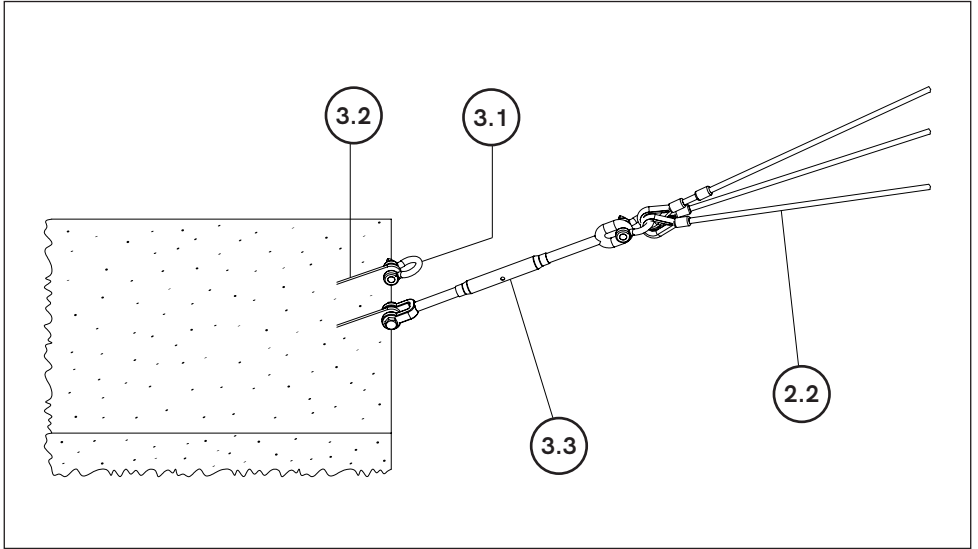


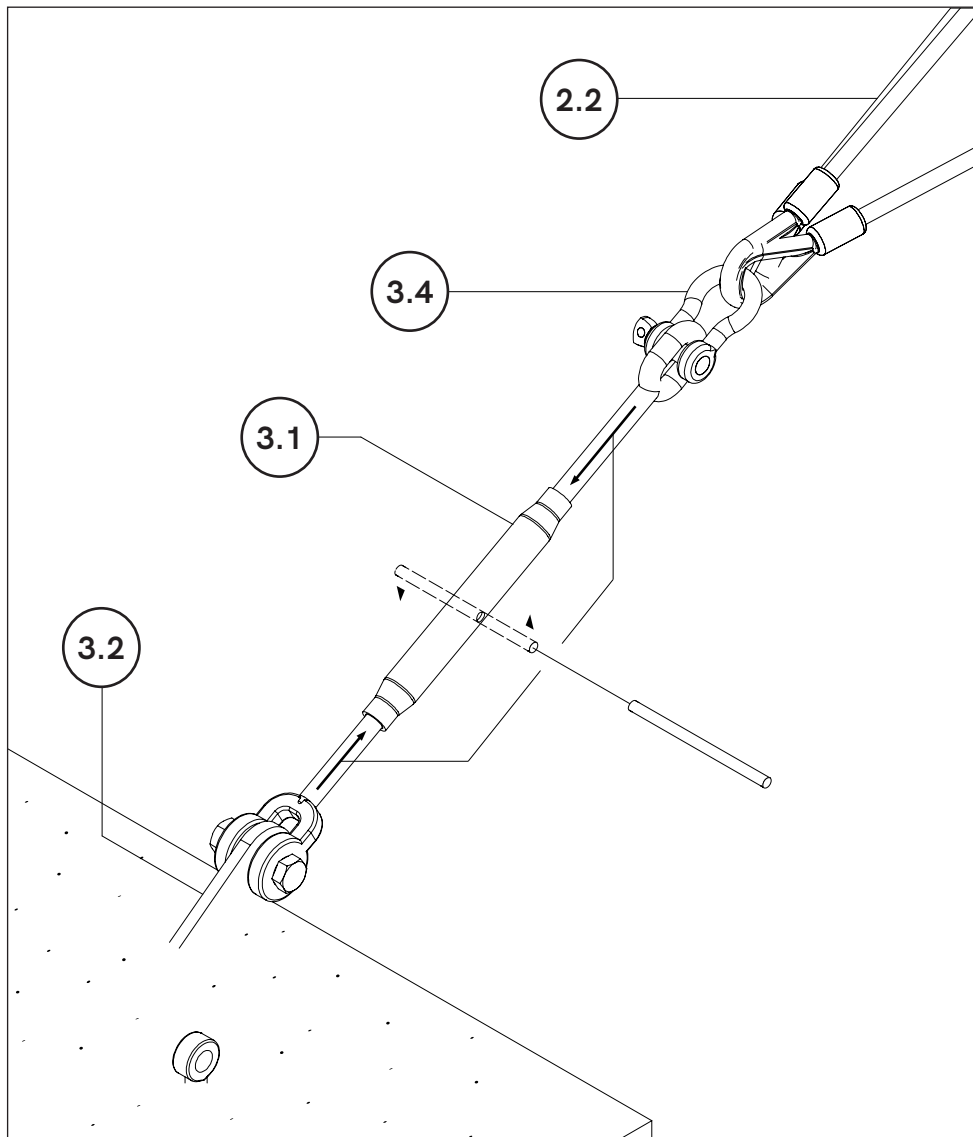


3

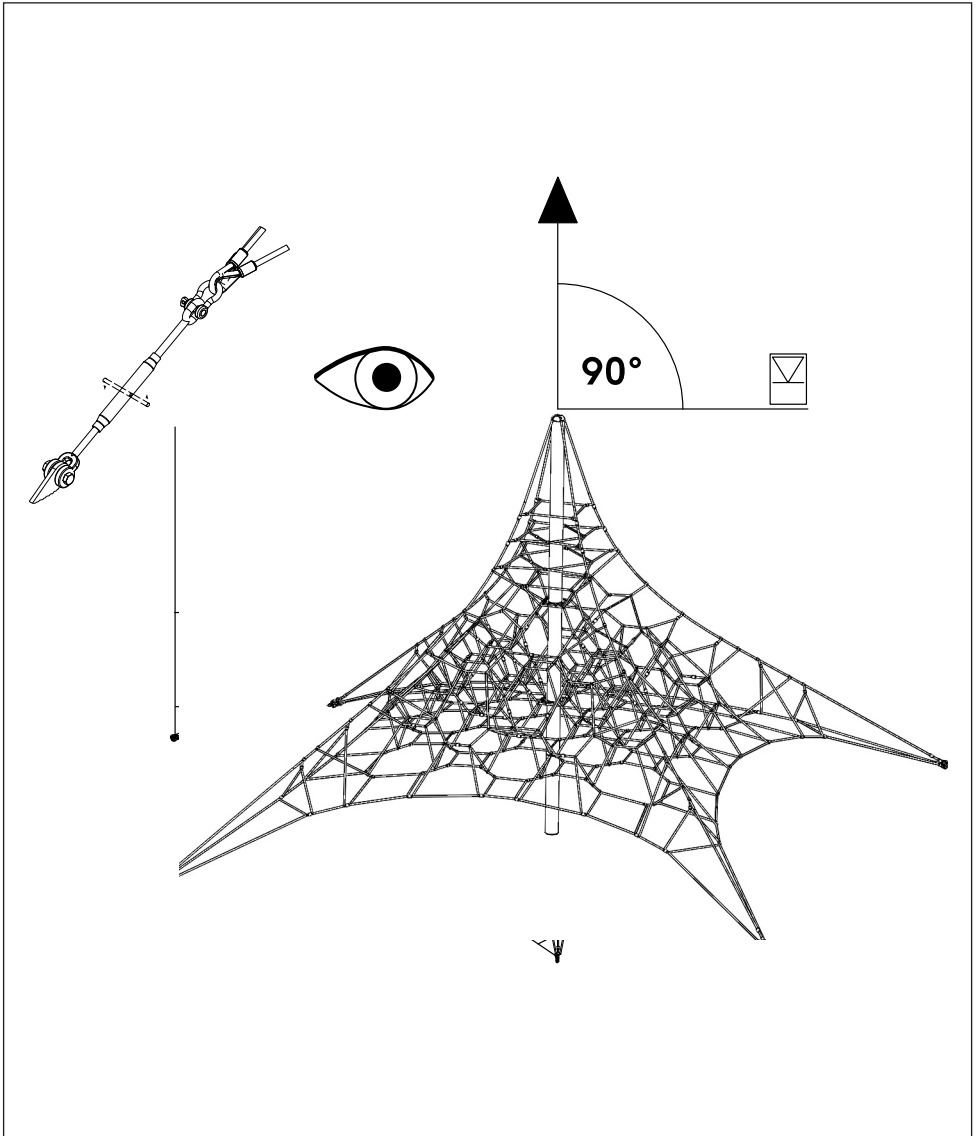


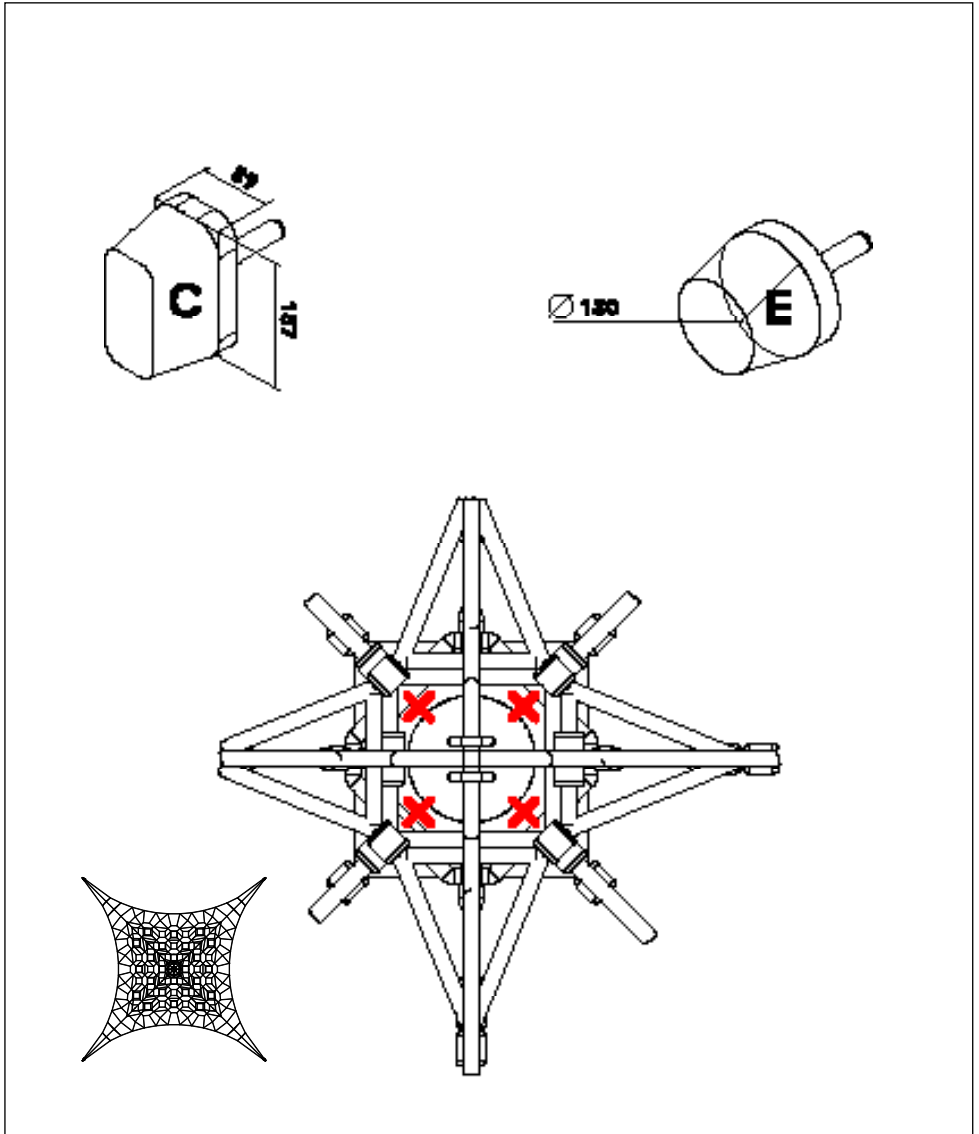


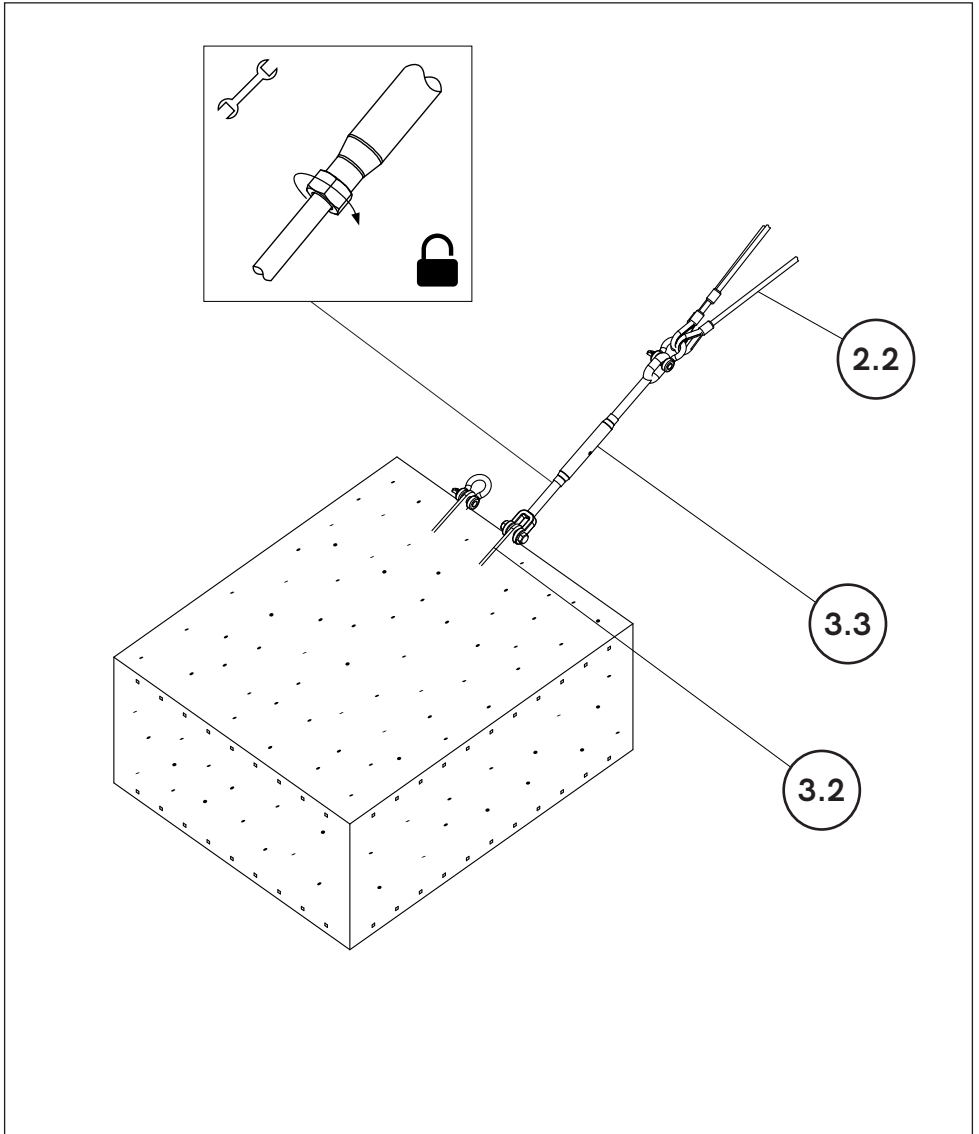


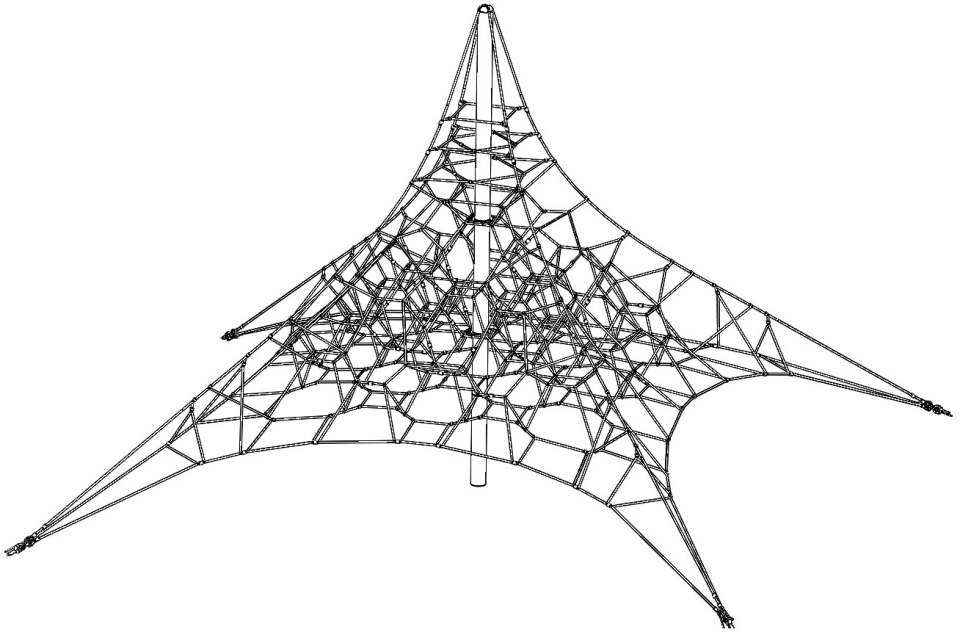


3











Tayplay Ltd

13A Riverview Business Park
Friarton Road
Perth
PH2 8DF
Scotland

Tel: +44 (0) 1738 449 084
Email: sales@tayplay.com
Web: www.tayplay.com

